

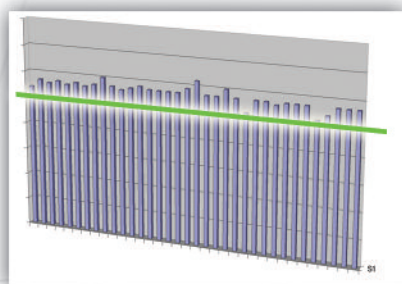
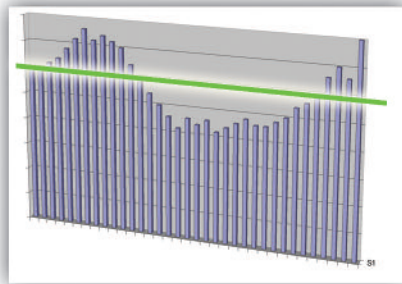


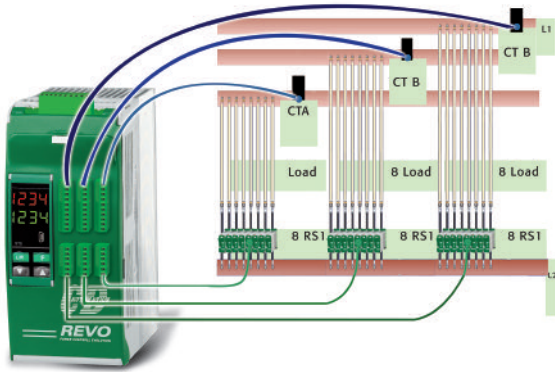
REVO PC was designed specifically to manage multizone systems. This powerful unit, with its unique algorithm, will minimize your energy costs by controlling synchronization and power limit. Benefits include:

- Elimination of power overshoot (see graph below).
- Power factor close to one due to zero crossing firing.
- **REVO-PC** keeps your instantaneous power within the limit of your electricity supply contract.
- Prevents increases in energy supply tariffs imposed by your electricity supplier.
- Quick return on your investment.

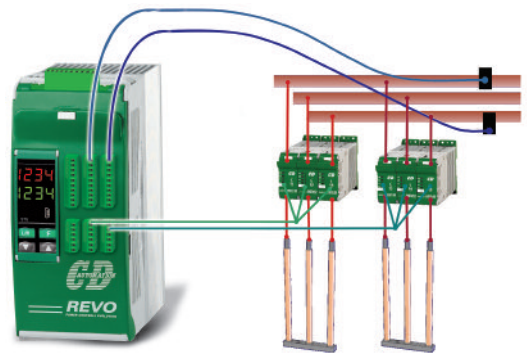
This powerful unit with high performance micro can drive simple thyristor unit like Revo S with zero crossing firing. By using the PC, simple thyristor units can be used reducing the overall financial investment.

- Simultaneous fast full wave control of
 - 8-16-24 REVO S - 1PH single phase units
 - 8 REVO S - 2PH/3PH for 3 phase loads
- Each loop's process information is managed independently.
 - Calculation of instant current and RMS Current and Power.
 - Calculation of load resistance with Heater Break Alarm.
 - Modbus Master, Modbus slave, Profibus DP, Modbus/TCP





APPLICATION WITH 8, 16 OR 24 SINGLE PHASE LOADS



APPLICATION WITH 8 THREE-PHASE LOADS

Easy to start REVO-PC

Only few parameter are requested to start with REVO-PC:

- Set the operative current of the heater zone.
- Set the Total Power Limit.
- Set the Power of each zone.

The REVO-PC strategy is easy to implement. Do the same operation with a competitor's load management system and the operator must learn up to 15 pages of the manual and understand up to five models of synchronization.

Synchronization

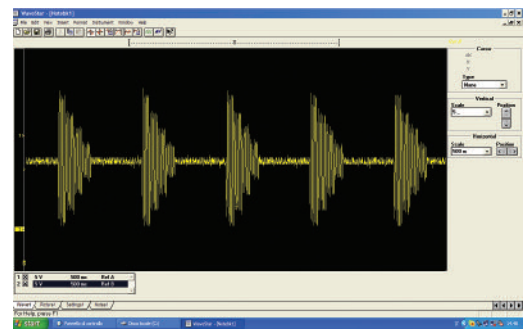
On all controlled zones, the Live Predictive Synchronization is automatic resulting in superior performance:

- Total current is equal to a sinusoidal wave form.
- Power factor > 0,9.
- Instantaneous current close to average value.
- Cancellation of harmonics.
- Power saving by harmonic reduction.
- Flickering effect removed.

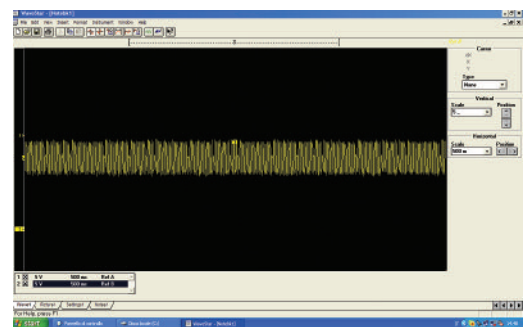
Synchronization selection is available for normal resistive loads or short infrared.

Smart Power limitation

- Smart power limitation works together with synchronization. If this function is enabled, REVO-PC makes a live calculation of power at each period and generates the output values for the next period.
- If the calculated power is below the power limit value, the previous values remain with each channel using full power.
- If the power is above the power limit value, the setpoint of each channel is reduced proportionally to restrict power overshoot. This function significantly reduces disturbances on the main network compared to a full power system, preventing any increase in energy tariffs imposed by the electricity supplier.
- This function can be activated/deactivated and the limit value changed at any time.



WITHOUT POWER CONTROL OPTIMISATION



WITH POWER CONTROL OPTIMISATION

	1	2	3	4	5	6	7	8	9	10	11	12	13	14	15	16	
REVO-PC	R	P	C	-	-	-	-	-	-	-	-	-	-	-	0	0	0
4,5 Channels																	
Description code	Numeric code																
8 Channels (for 8 Off one phase unit)	0 8																
16 Channels (for 16 Off one phase unit)	1 6																
24 Channels (for 24 Off one phase unit)	2 4																
8 Channels for 2-3PH	3 8																
6 Current Sensor																	
Description code	Numeric code																
50/0,05 A	1																
100/0,05 A	2																
150/0,005 A	3																
200/0,05 A	4																
250/0,05A	5																
400/0,05A	6																
80070,05A	7																
7 Communication																	
Description code	Numeric code																
Ethernet	1																
ModBus Slave	2																
ModBus Master	3																
Profibus	4																
Profinet	5																
8 Primary Voltage Aux. Transformer																	
Description code	Numeric code																
Transformer 24V	1																
90:130V	2																
170:265V	3																
230:345v	4																
300:530V	5																
510:690V	6																
600:760V	7																
9 Firing																	
Description code	Numeric code																
Half Cycle at 50% power demand	1																
One Cycle at 50% power demand ModBus	2																
10 Feed Back																	
Description code	Numeric code																
No feedback	1																
Power	2																
11 Approvals																	
Description code	Numeric code																
CE EMC	1																
12 Manuals																	
Description code	Numeric code																
None	0																
Italian Manual	1																
English Manual	2																
German Manual	3																
French Manual	4																
13 Version																	
Description code	Numeric code																
Version 1	1																