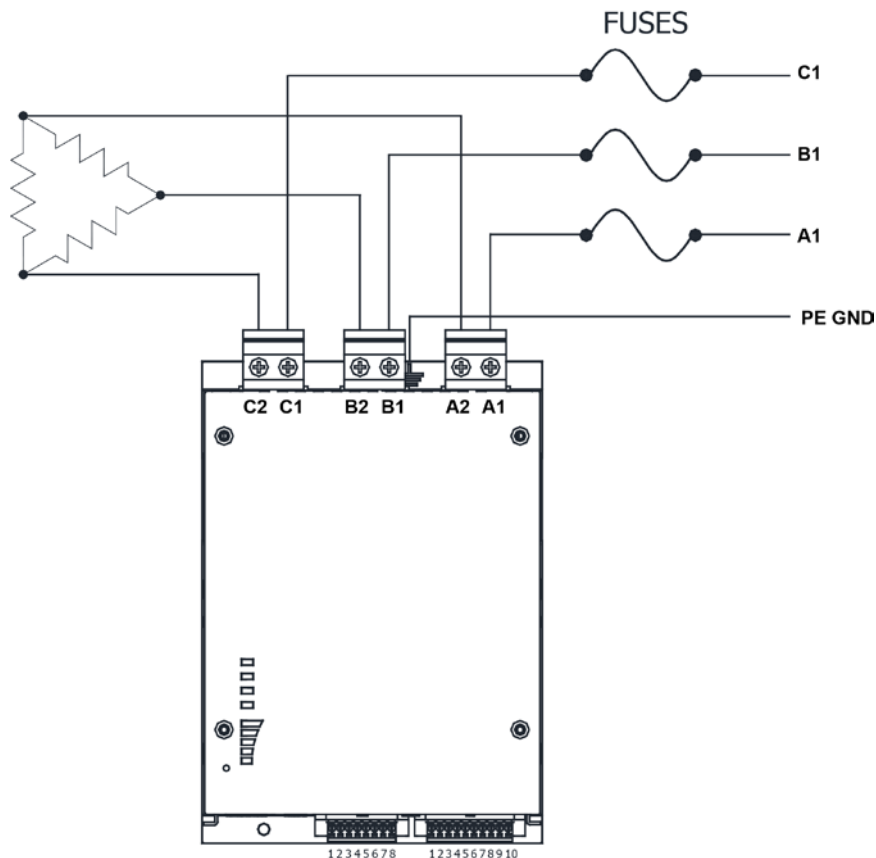


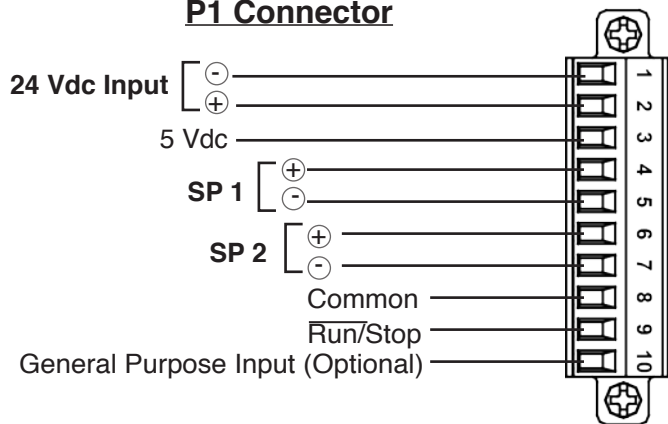
# MICROFUSION

## THREE PHASE WIRING GUIDE

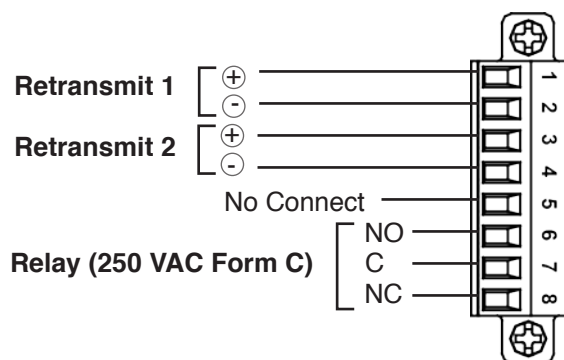


### P1/P2 CONNECTOR

#### P1 Connector



#### P2 Connector



### CONTACT/ORDERING INFORMATION

TEL: (952) 474-6200 | (800) 765-2799  
 FAX: (952) 474-6070 | [www.cciipower.com](http://www.cciipower.com)  
 18760 Lake Drive East, Chanhassen, MN 55317, USA